

---

# MANUAL AND INSTRUCTION

---

## WESTBO Carl 95 electric



Please note and observe all warnings and safety notes. Always use original replacement parts. Ignoring these operating guidelines will void any liability and warranty entitlements.

**WARNING!**

This icon indicates a potentially dangerous situation. Ignoring this warning may result in serious injury or even death.

**CAUTION!**

This icon signals a possible hazardous condition. Failure to heed this caution could lead to property damage or personal injury.

**NOTE!**

Offers additional advice on operating the stove and provides helpful information.

**NOTE!****When receiving the stove**

When the stove is received it is important to check the goods to see that the stove is not damaged during transportation. Damages should be notified to the freight company immediately.



Cut the strap and remove the carton.

**CAUTION!**

When using an electric fireplace near a patient or child, pay attention to safety and take extra care.

**CAUTION!**

You must use a well grounded and fused socket. When the electric fireplace is in a heated state and objects are covered or covered at the air inlet, the heating components may be overheated.

At this time, the product overheat protection function will automatically cut off the input power.

After 8 - 10 minutes cooling down it is possible to restart the unit.

**CAUTION!****Floor protection**

Do not install the electric fireplace directly on a carpet or other similar surface that may prevent the air circulation under the product.

**CAUTION!**

After the electric fireplace is turned on and heated, the hot air outlet is at a high temperature. Do not place bedding, clothing, curtains, paper, etc. within 30 cm from the front of the electric fireplace and within 10 cm from the sides and back.

Do not place the electric fireplace in a humid environment, such as a laundry room, bathroom, etc.

When installing an electric fireplace, do not lay cables under carpets or flammables.

**NOTE**

When using the cooking plate, the diameter of the bottom of the pot should not exceed 13cm.

The electric ceramic cooking plate on the top cannot automatically be turned off by the power.

**WARNING!**

Please do not leave the cooking plate on without attention to avoid boiling water overflowing and long term dry burning to cause potential hidden danger.

**NOTE****Product features**

The Westbo Carl is a traditional Swedish cast iron stove. In the past it was placed in small rooms or workplaces with little space and with the need for warmth. The handy stove is easy to place where the space is limited.

On the electric version the crown of the stove is removable, hiding an electric hot plate, suitable for cooking.

The simulated wood burning is made of environmentally friendly materials.

The surface treatment of sheet metal parts is made of high temperature resistant environmentally friendly plastic powder, and materials used are nontoxic and harmless and meets the environmental standards.

The flame is realistic, using coated glass tridimensional imaging, with a real sense of presence.

The infrared remote control is used to control each function, and at the same time, the auxiliary sound and light prompt function informs the user of the current working state.

The body of the stove is made from cast iron.





**NOTE**

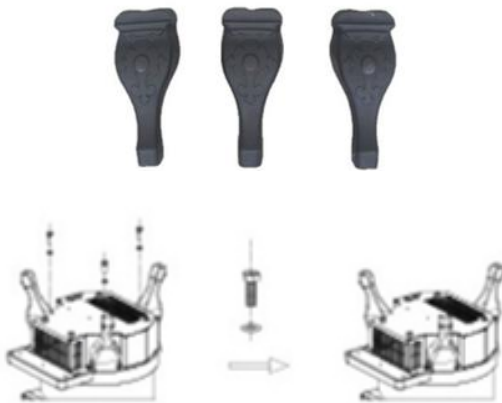
**Including**

- 1 pcs Electric fireplace
- 1 pcs Electric ceramic heaters
- 1 pcs Remote control
- 1 pcs Instruction
- 1 pcs Power cable

Unpack the product, take out the top cover, electric ceramic stove, bottom feet and accessories,

Fasten the bottom feet to the bottom of the furnace body with the combination screws allotted.

See the figure below.



**NOTE**

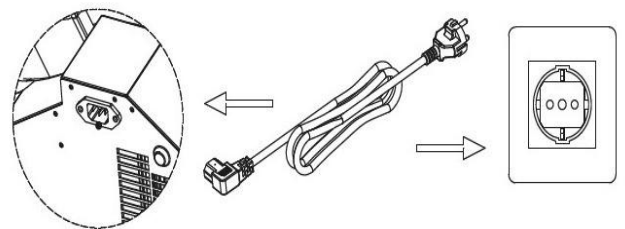
**How to install.**

Place the electric fireplace in a safe and suitable location and ensure a distance of more than 30cm from combustible at the front of the electric fireplace and within 10 cm from the side and back.

Plug the power cord into the socket at the bottom of the product to ensure that the power cord is not blocked or crushed.

Plug the power cord into a wall outlet rated min.10A. When you hear a beep, it indicates that the power is on.

The power input method is shown in the following figure



**NOTE**

**Remote control function**



Turn on/off

Five levels of brightness, adjustment (5-4-3-2-1, cycle in turn)

**Heater**

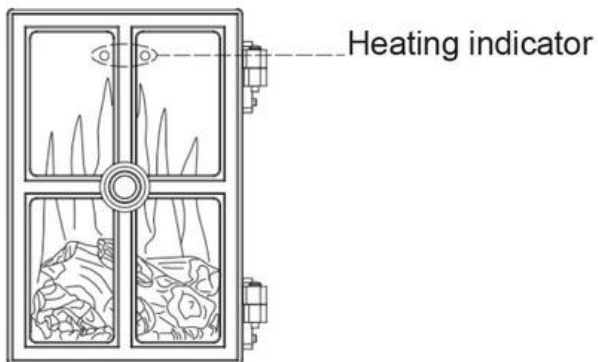
Low heat/high heat (press low heat once, high heat two times, turn off heat three times.)

**Heater plate**

Heating status display (press this key, the heating status indicator lights up, and automatically turns off after three seconds)

**NOTE****Heating functions**

- Low heat: Press the Heater button once, the internal buzzer of the product sounds "beep", the on the flame screen lights up for 3 seconds and then goes out.
- High heat, press the Heater button twice, the product buzzer sounds three "beep", the red light on the flame screen lights up for 3 seconds and then goes out.
- The location of the low heat and high heat indicator lights is shown in the figure below.



Heating indicator



Low heat -  
Blue light



High heat -  
red light

**NOTE!****Cooking plate function**

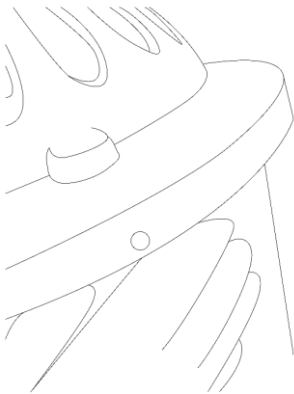
When using the cooking plate, the heat function on the stove will automatically go down to "Low Heat".

This to prevent the maximum power greater than 2300w.

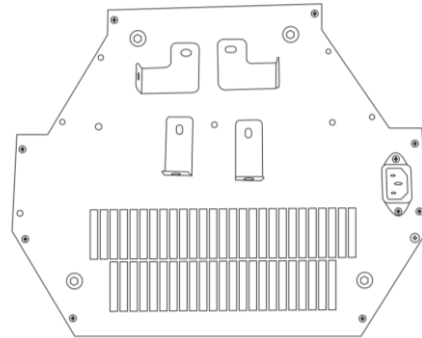
- The cooking plate has five levels of heating the maximum output is 1000 w.



Instruction for changing of electric unit on Carl 95 electric Stove



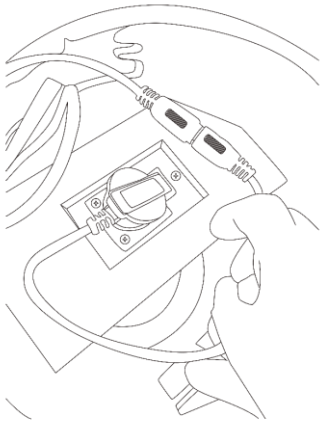
**Step 1**  
Loose the pin screw, then you can lift the crown.



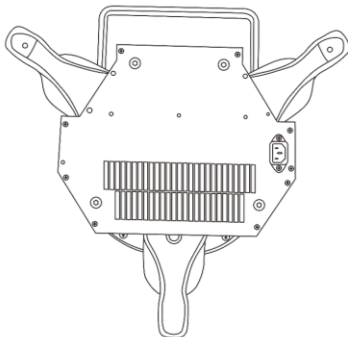
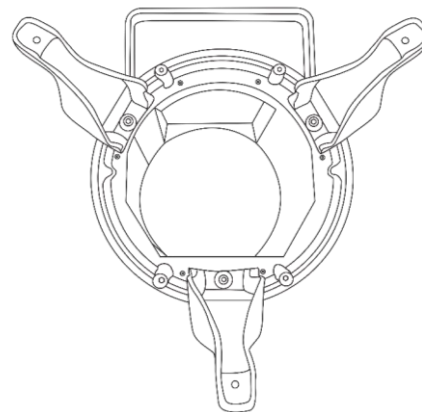
**Step 4:**  
Take off the four screws and take the electric unit out of the stove body.

Take off the other four screws and get the four connecting parts.

Now the Stove is ready to assembly the new electric unit.



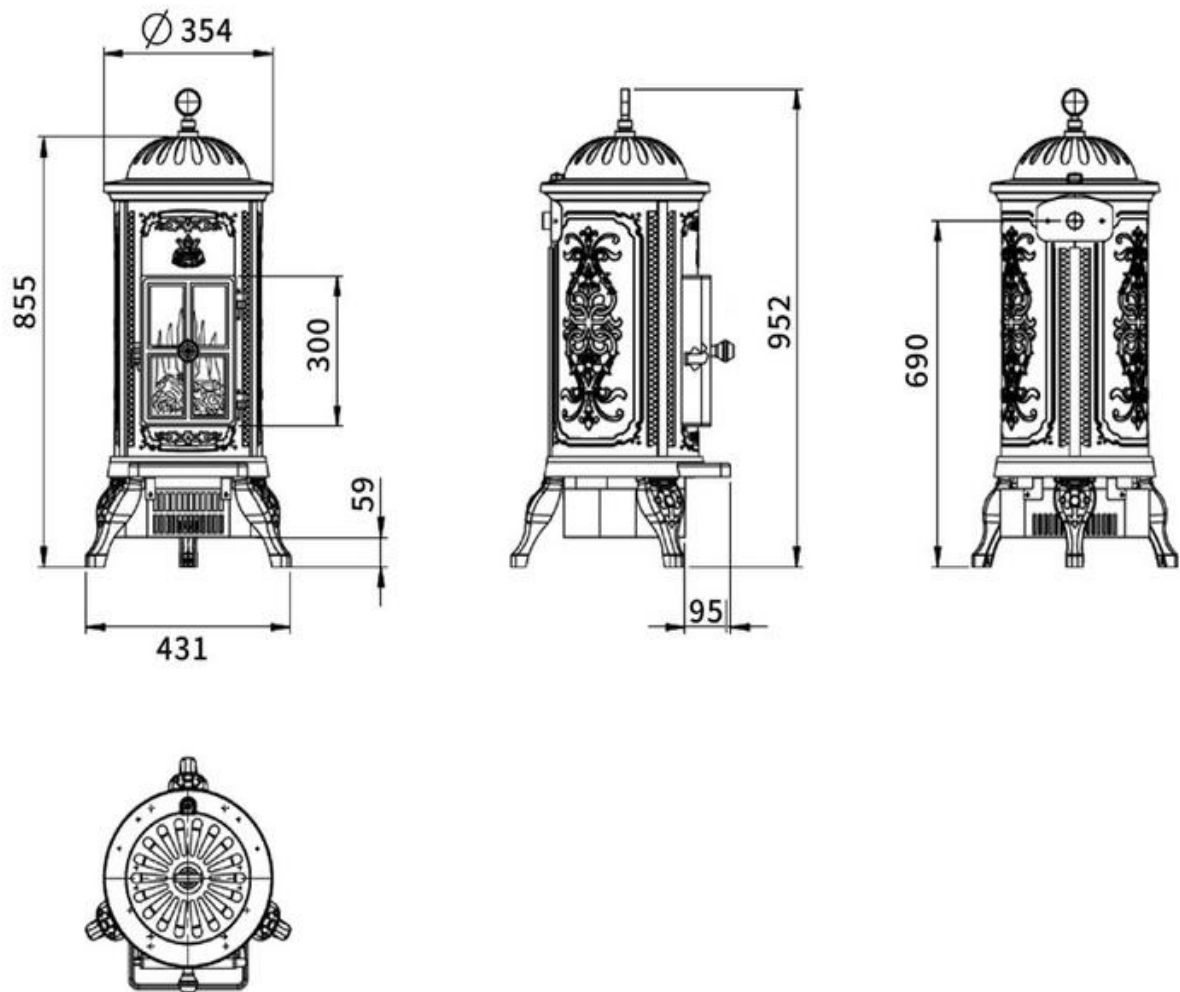
**Step 2:**  
Unplug the power plug and disconnect the cooker control cable.



**Step 3:**  
Take off the crown and put aside.  
Turn the stove body upside down.

Do the steps in reverse 4-3-2-1 and the electric unit is replaced.

Now you can plug-in the power and enjoy your Carl 95 electric Stove.

**Technical data**

Weight	48 kg
Height	952 mm
Width	431 mm
Deep	441 mm
Material	Cast iron
Rated voltage	AC 230+/-10V
Heating power	1900/950W
Cooking plate	1000W
CE – approved	

**NOTE**

## Maintenance and repair

**1.The product cannot be turned on normally.**

- Check whether the power input socket and the power plug are firmly connected to make sure there is power on the socket.
- The electric fireplace is controlled by an infrared remote control. Please check whether the remote-control battery is ok. Battery CR2025 .

**2.The product cannot be turned on normally for heating.**

- This electronic fireplace has an overheating protection system. If overheating occurs, the system will turn off the heater. If the heater stops working, please turn off the heater and check whether the air intake and exhaust are blocked.
- Unplug the heater, wait for the heater to cool completely, plug in the power to reset the system, and then try to turn on the electric

# WARRANTY

Warranty is valid for 1 year from the date of purchase. In the event of a warranty claim, the time of purchase must be supported by a receipt or similar.

Warranty claims must be made to the place of purchase. No warranty is given on the product if it has been modified or rebuilt. Defects/damages caused by negligence on the part of the user are not covered by the warranty.

The warranty applies only to the first buyer and is not included in the sale.



Yours sincerely

Mattias Gunnarsson  
Managing director  
Westbo of Sweden AB